

Since 1976  
**LUNGMENG**



Energy Saving / Environmentally Friendly / High-Tech / Robust Design

**5-LAYER HIGH PERFORMANCE  
BLOWN FILM EXTRUSION LINE**  **RH-TT series**

# 5-LAYER HIGH PERFORMANCE BLOWN FILM EXTRUSION LINE

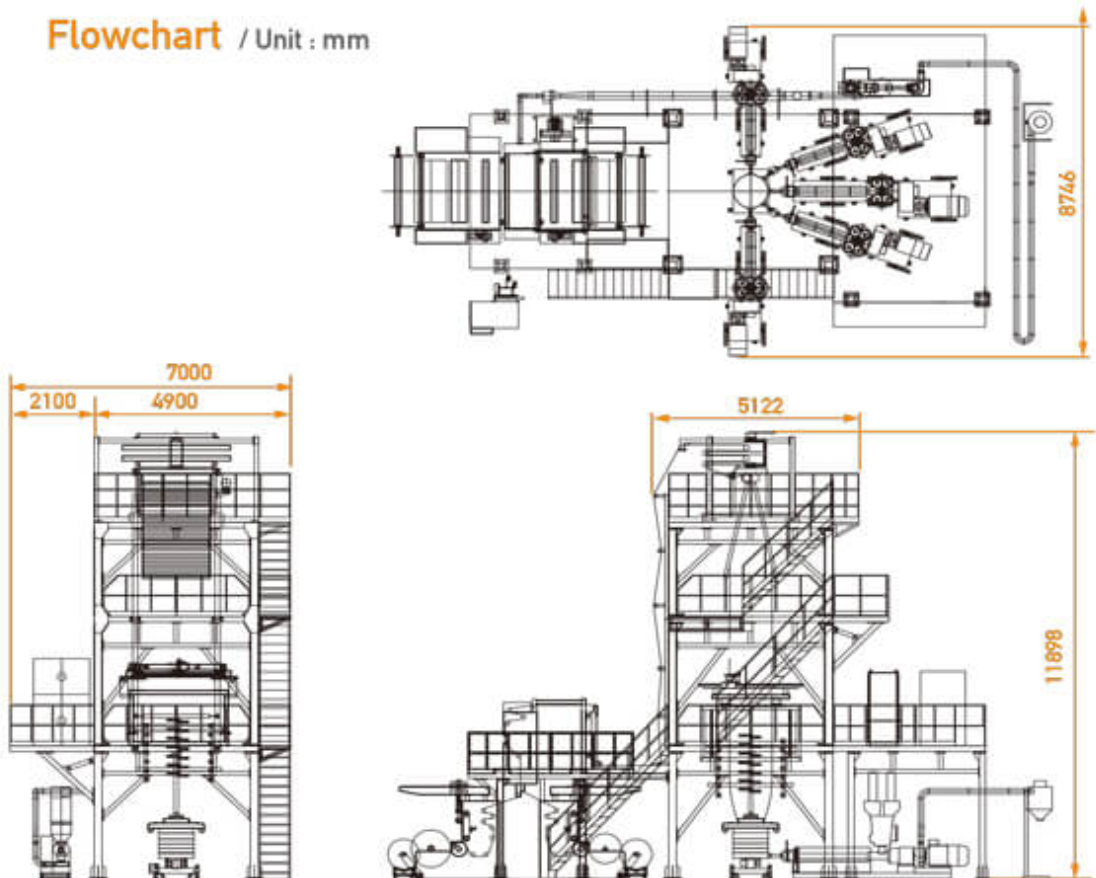
## Features

- RH series is supplied with high performance AC main motor & inverter, which is designed for energy saving as well as minimum maintenance.
- Minimum power consumption and labor cost.
- Improved die & air ring design ensures higher film quality and easier production control.
- Top oscillating haul-off and back to back double winder
- Equipped with PID temperature controller and user friendly HMI control system.

## Ancillaries

- Gravimetric dosing system
- Thickness gauge control
- Auto air ring based thickness control
- Internal bubble cooling system
- Surface & center control winder
- Chiller
- Chilling box
- Trimmed waste winder
- Mini recycling machine

## Flowchart / Unit : mm

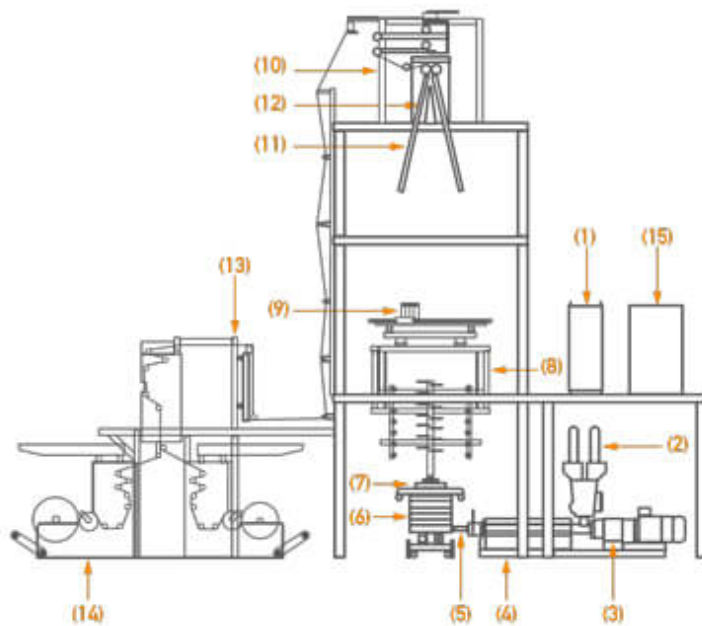


## Applications

- Laminated film, agricultural film, industrial packing film, cling film, die head for barrier film and more.

NO	DESCRIPTION
1	Main control cabinet
2	Gravimetric dosing system
3	Gear box
4	Extrusion unit
5	Manual screen filter unit
6	Die head and die cart
7	Auto air ring
8	Bubble cage

NO	DESCRIPTION
9	Thickness measurement system
10	Oscillating haul-off
11	Collapser
12	Gusseting unit
13	CPC edge control
14	Auto winder BHF-1650
15	Air chiller



## Specifications

MODEL	RH-55/55/75/55/55 TT
Applicable materials	LDPE / LLDPE / MDPE / HDPE / PP / MLLDPE / Recycled materials
Max. film width (mm)	1600
Thickness of film (mm)	0.02-0.2
Max. extrusion output (kg/hr.)	600
Machine height (M)	12

\*Final specifications of machine depend on the film application, material to be used, accepted thickness tolerance and your special requirements.



## LUNG MENG MACHINERY CO., LTD.

### Headquarters

No. 20, Huan Kung Rd.,  
Yung Kang Ind. Area,  
Tainan City 710, Taiwan  
Tel : +886-6-232-1126  
Fax : +886-6-203-1178  
Email : sales@lm-hq.com

### Taipei Office

7F., No.12-19, Sec. 2,  
Zhongyang S. Rd., Beitou Dist.,  
Taipei City 112, Taiwan  
Tel : +886-2-2897-6599  
Fax : +886-2-2897-9618

[www.lungmeng.com.tw](http://www.lungmeng.com.tw)



GATOR series 2022-06-08